



**TS461  
TS462  
TS464**

## OUTPUT RAIL TO RAIL OPERATIONAL AMPLIFIERS

- HIGH DYNAMIC FEATURES
- LARGE **OUTPUT SWING**  
( $\pm 2.4V$  @  $V_{CC} = \pm 2.5V$ )
- LOW NOISE LEVEL :  $4nV/\sqrt{Hz}$
- LOW DISTORTION : **0.003%**
- OPERATING RANGE : **2.7V to 12V**
- AVAILABLE IN **SOT23-5 MICROPACKAGE**

### DESCRIPTION

The TS46x is operational amplifiers able to operate with voltages as low as  $\pm 1.35V$  and to reach a minimum of  $\pm 2V_{pp}$  of output swing when supplied with  $\pm 2.5V$ .

This device is well suited for every kind of portable and battery-supplied equipment where low noise and low distortion are key.

The TS461/2/4 are a cost-attractive access to the range of the Rail to Rail Op-Amps from STMicroelectronics.

### APPLICATIONS

- Sound cards
- PDA
- CD players
- Recording equipments
- Multimedia
- Microphone preamplifier

### ORDER CODES

Part Number	Temperature Range	Package				SOT23 Marking
		N	D	P	L	
TS461C	-20, +70°C		•		•	K105
TS462C	-20, +70°C	•	•	•		
TS464C	-20, +70°C	•	•	•		

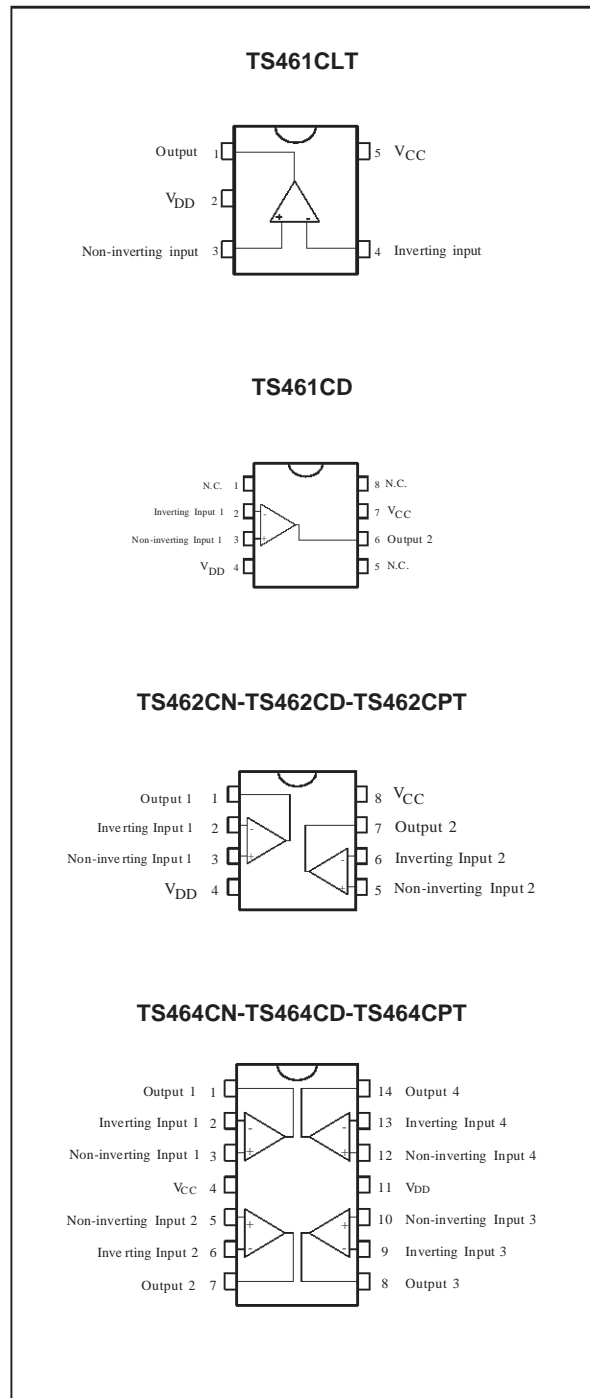
**N** = Dual in Line Package (DIP)

**D** = Small Outline Package (SO) - also available in Tape & Reel

**P** = Thin Shrink Small Outline Package (TSSOP) - only available in Tape & Reel (PT)

**L** = Tiny Package (SOT23-5) - only available in Tape & Reel (LT)

### PIN CONNECTIONS (top view)



**ABSOLUTE MAXIMUM RATINGS**

Symbol	Parameter	Value	Unit
$V_{CC}$	Supply Voltage - note 1	12	V
$V_{id}$	Differential Input Voltage - note 2	$\pm V_{CC}$	V
$V_{in}$	Input Voltage Range - note 3	-0.3 to 12.3	V
$T_{oper}$	Operating Free Air Temperature Range	-20 to +70	°C
$T_{stg}$	Storage Temperature	-65 to +150	°C
$T_j$	Maximum Junction Temperature	150	°C
$R_{thjc}$	Thermal Resistance Junction to Case - note 4 SOT23-5 SO8 SO14 TSSOP8 TSSOP14	81 28 22 26 21	°C/W
$R_{thja}$	Thermal Resistance Junction to Ambient (SOT23-5)	256	°C/W
ESD	Human Body Model	2	kV
	Lead Temperature (soldering, 10sec)	260	°C

- Notes :**
1. All voltages values, except differential voltage are with respect to network ground terminal.
  2. Differential voltages are non-inverting input terminal with respect to the inverting input terminal.
  3. The magnitude of input and output voltages must never exceed  $V_{CC} + 0.3V$ .
  4. Short-circuits can cause excessive heating and destructive dissipation.

**OPERATING CONDITIONS**

Symbol	Parameter	Value	Unit
$V_{CC}$	Supply Voltage Range	2.7 to 10	V
$V_{icm}$	Common Mode Input Voltage Range	$V_{DD} + 1.15$ to $V_{CC} - 1.15$	V

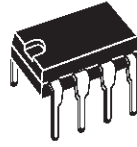
**ELECTRICAL CHARACTERISTICS**

$V_{CC} = 2.5V$ ,  $V_{DD} = -2.5V$ ,  $T_{amb} = 25^{\circ}C$  (unless otherwise specified)

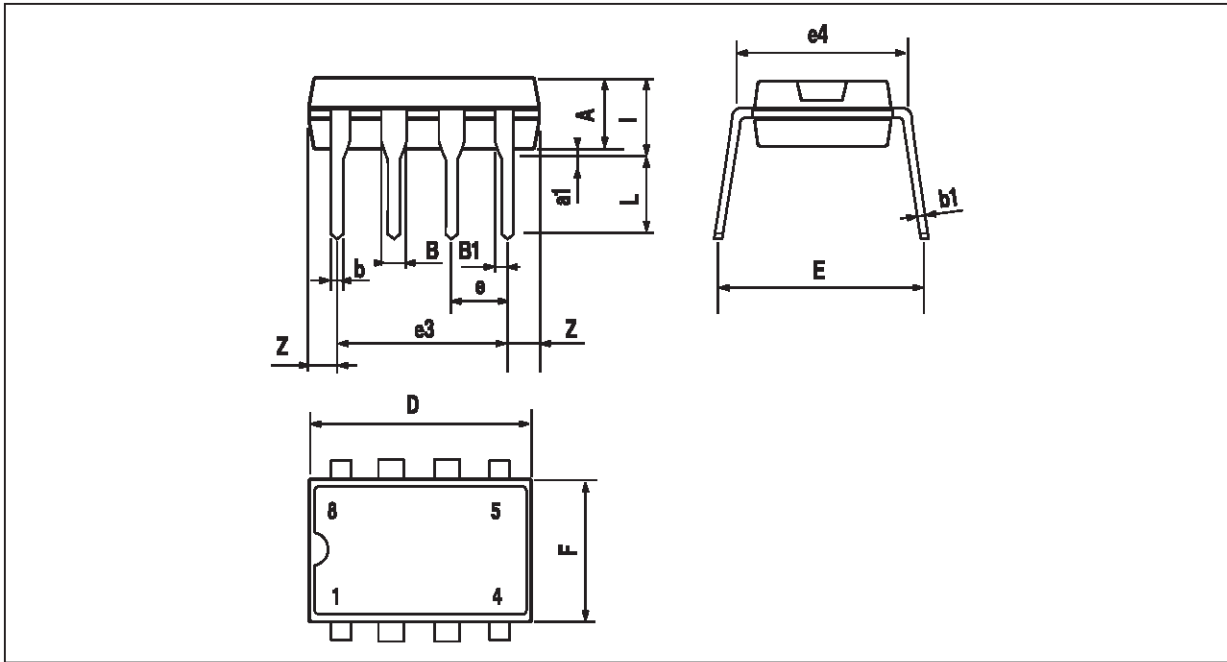
Symbol	Parameter	Min.	Typ.	Max.	Unit
$V_{io}$	Input Offset Voltage $T_{min.} < T_{amb} < T_{max.}$		1	5	mV
$DV_{io}$	Input Offset Voltage Drift $V_{icm} = 0V, V_o = 0V$		5		$\mu V/^{\circ}C$
$I_{io}$	Input Offset Current $V_{icm} = 0V, V_o = 0V$ $T_{min.} < T_{amb} < T_{max.}$		10	150 200	nA
$I_{ib}$	Input Bias Current $V_{icm} = 0V, V_o = 0V$ $T_{min.} < T_{amb} < T_{max.}$		200 200	750 1000	nA
$V_{icm}$	Common Mode Input Voltage Range	-1.35	$\pm 1.5$	1.35	V
CMR	Common Mode Rejection Ratio $V_{icm} = \pm 1.35V$	60	85		dB
SVR	Supply Voltage Rejection Ratio $V_{CC} = \pm 2V$ to $\pm 3V$	60	70		dB
$A_{vd}$	Large Signal Voltage Gain $R_L = 2k\Omega$	70	80		dB
$V_{OH}$	High Level Output Voltage $R_L = 2k\Omega$	2	2.4		V
$V_{OL}$	Low Level Output Voltage $R_L = 2k\Omega$		-2.4	-2	V
$I_{CC}$	Supply Current, per amplifier Unity gain - no load		2	2.8	mA
GBP	Gain Bandwidth Product $f = 100kHz$ $R_L = 2k\Omega, C_L = 100pF$	8.5	10		MHz
SR	Slew Rate $A_V = 1, V_{in} = \pm 1V$	2.8	4		V/ $\mu s$
$e_n$	Equivalent Input Noise Voltage $f = 100kHz$		4		$\frac{nV}{\sqrt{Hz}}$
THD	Total Harmonic Distortion $f = 1kHz, A_V = -1$ $R_L = 10k\Omega$		0.003		%

**TS461-TS461-TS464**

**TS462CN**

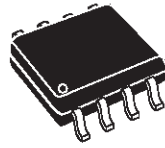


**PACKAGE MECHANICAL DATA**  
8 PINS - PLASTIC DIP

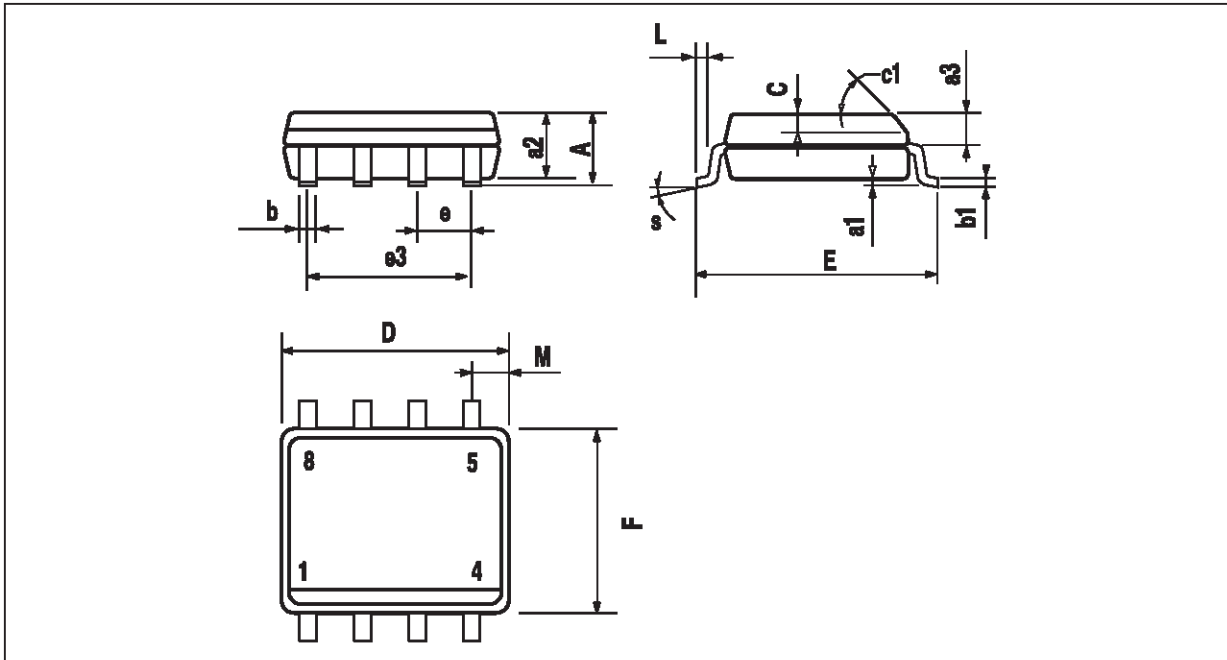


Dimensions	Millimeters			Inches		
	Min.	Typ.	Max.	Min.	Typ.	Max.
A		3.32			0.131	
a1	0.51			0.020		
B	1.15		1.65	0.045		0.065
b	0.356		0.55	0.014		0.022
b1	0.204		0.304	0.008		0.012
D			10.92			0.430
E	7.95		9.75	0.313		0.384
e		2.54			0.100	
e3		7.62			0.300	
e4		7.62			0.300	
F			6.6			0.260
i			5.08			0.200
L	3.18		3.81	0.125		0.150
Z			1.52			0.060

TS461CD-TS462CD

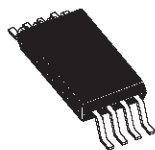


**PACKAGE MECHANICAL DATA**  
8 PINS - PLASTIC MICROPACKAGE (SO)



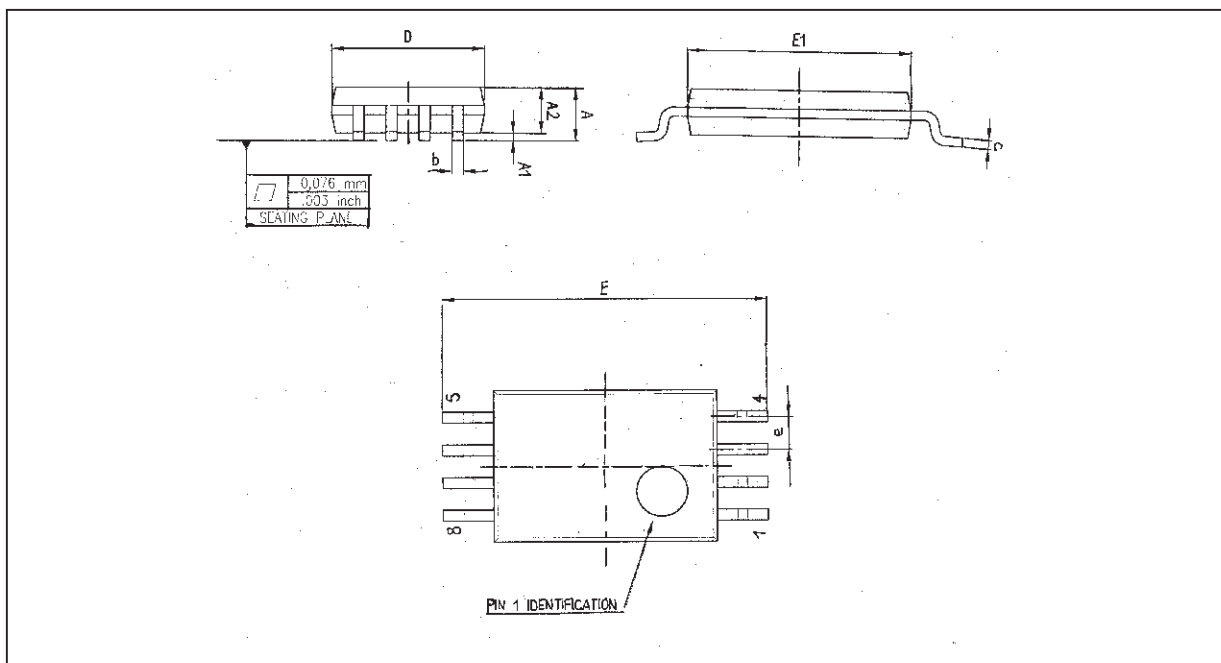
Dimensions	Millimeters			Inches		
	Min.	Typ.	Max.	Min.	Typ.	Max.
A			1.75			0.069
a1	0.1		0.25	0.004		0.010
a2			1.65			0.065
a3	0.65		0.85	0.026		0.033
b	0.35		0.48	0.014		0.019
b1	0.19		0.25	0.007		0.010
C	0.25		0.5	0.010		0.020
c1	45° (typ.)					
D	4.8		5.0	0.189		0.197
E	5.8		6.2	0.228		0.244
e		1.27			0.050	
e3		3.81			0.150	
F	3.8		4.0	0.150		0.157
L	0.4		1.27	0.016		0.050
M			0.6			0.024
S	8° (max.)					

TS462CPT



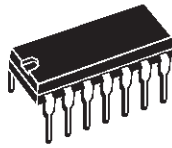
PACKAGE MECHANICAL DATA

8 PINS - THIN SHRINK SMALL OUTLINE PACKAGE (TSSOP)

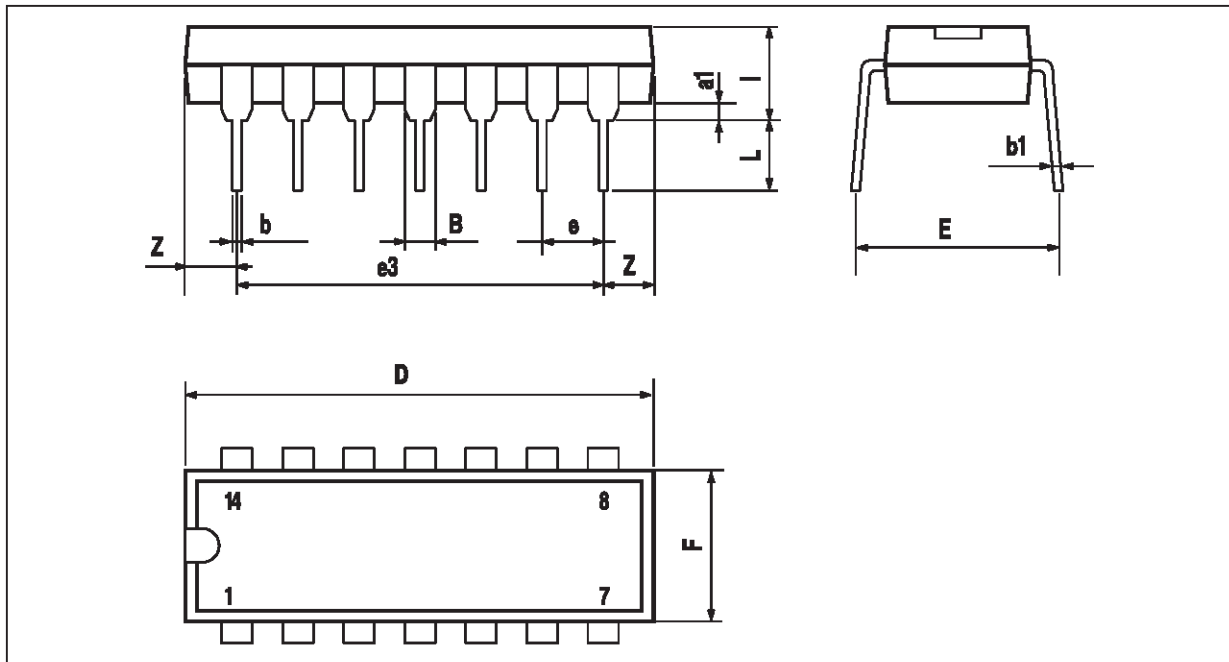


Dim.	Millimeters			Inches		
	Min.	Typ.	Max.	Min.	Typ.	Max.
A			1.20			0.05
A1	0.05		0.15	0.01		0.006
A2	0.80	1.00	1.05	0.031	0.039	0.041
b	0.19		0.30	0.007		0.15
c	0.09		0.20	0.003		0.012
D	2.90	3.00	3.10	0.114	0.118	0.122
E		6.40			0.252	
E1	4.30	4.40	4.50	0.169	0.173	0.177
e		0.65			0.025	
k	0°		8°	0°		8°
l	0.50	0.60	0.75	0.09	0.0236	0.030

TS464CN



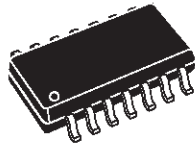
PACKAGE MECHANICAL DATA  
14 PINS - PLASTIC DIP



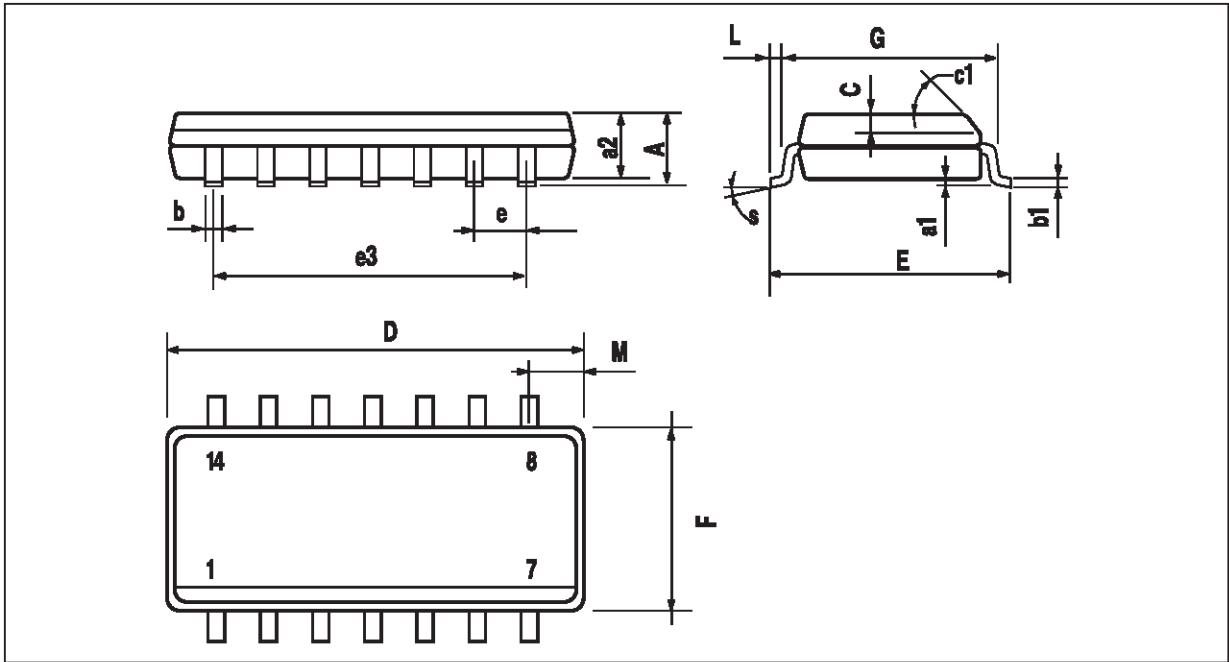
Dim.	Millimeters			Inches		
	Min.	Typ.	Max.	Min.	Typ.	Max.
a1	0.51			0.020		
B	1.39		1.65	0.055		0.065
b		0.5			0.020	
b1		0.25			0.010	
D			20			0.787
E		8.5			0.335	
e		2.54			0.100	
e3		15.24			0.600	
F			7.1			0.280
i			5.1			0.201
L		3.3			0.130	
Z	1.27		2.54	0.050		0.100

**TS461-TS461-TS464**

**TS464CD**



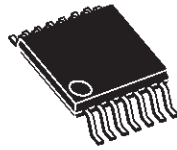
**PACKAGE MECHANICAL DATA**  
14 PINS - PLASTIC MICROPACKAGE (SO)



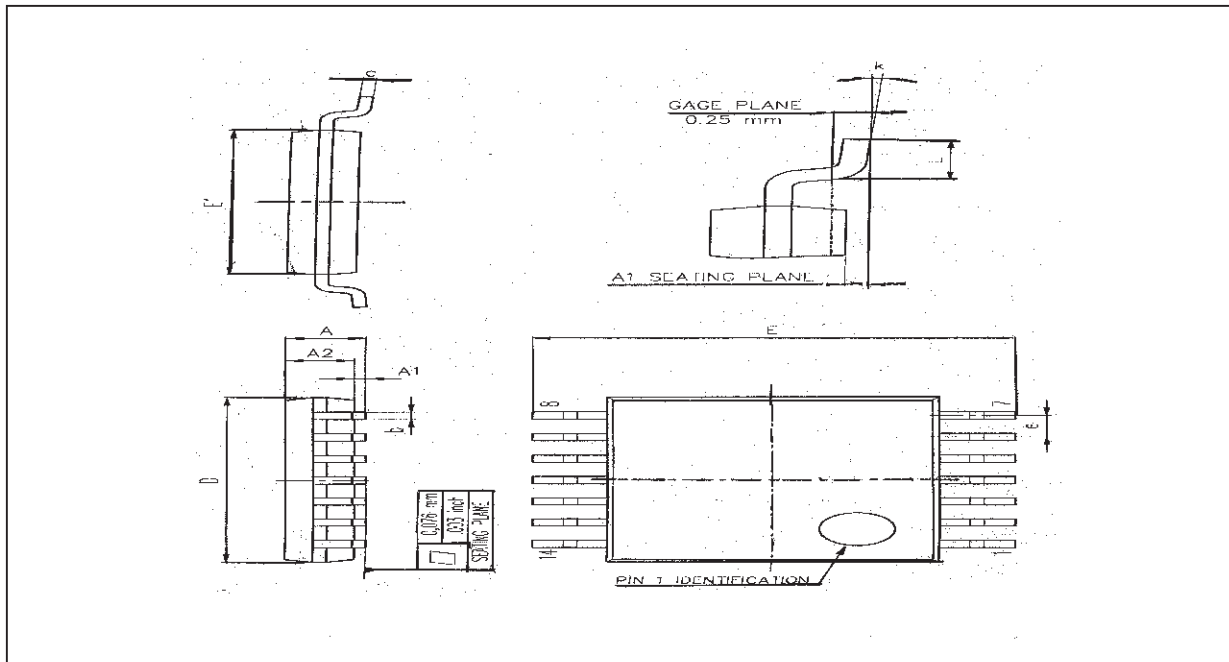
Dim.	Millimeters			Inches		
	Min.	Typ.	Max.	Min.	Typ.	Max.
A			1.75			0.069
a1	0.1		0.2	0.004		0.008
a2			1.6			0.063
b	0.35		0.46	0.014		0.018
b1	0.19		0.25	0.007		0.010
C		0.5			0.020	
c1	45° (typ.)					
D	8.55		8.75	0.336		0.334
E	5.8		6.2	0.228		0.244
e		1.27			0.050	
e3		7.62			0.300	
F	3.8		4.0	0.150		0.157
G	4.6		5.3	0.181		0.208
L	0.5		1.27	0.020		0.050
M			0.68			0.027
S	8° (max.)					



TS464CPT

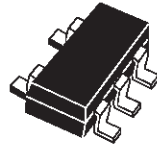


**PACKAGE MECHANICAL DATA**  
 14 PINS - THIN SHRINK SMALL OUTLINE PACKAGE (TSSOP)

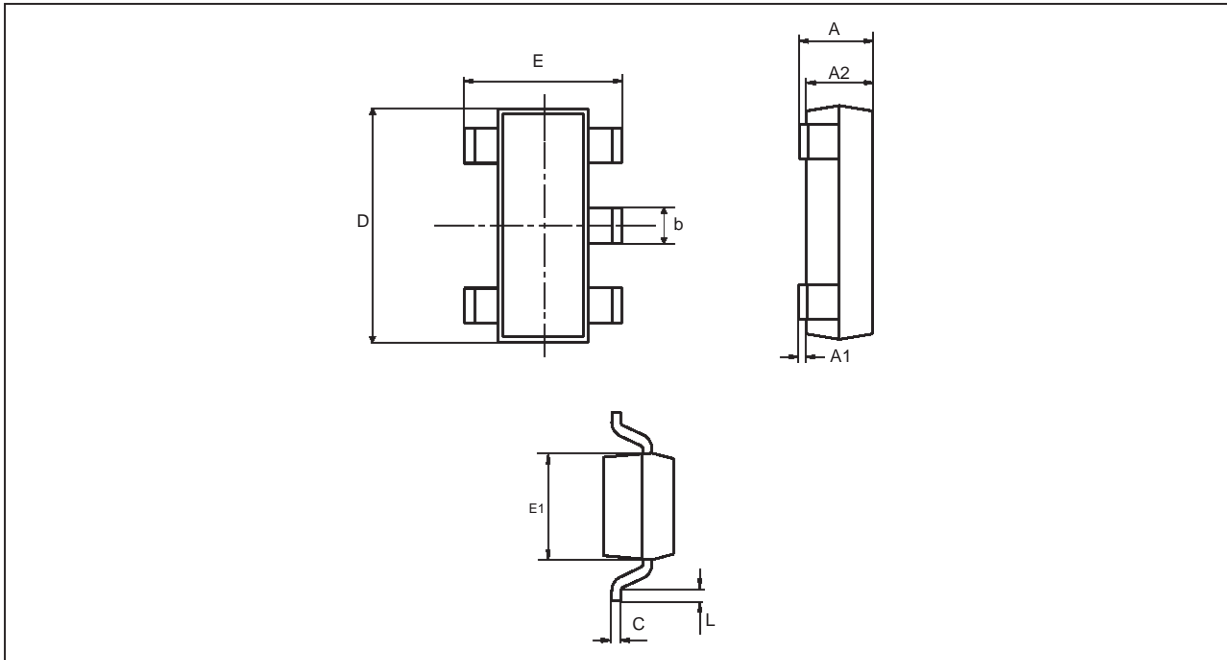


Dim.	Millimeters			Inches		
	Min.	Typ.	Max.	Min.	Typ.	Max.
A			1.20			0.05
A1	0.05		0.15	0.01		0.006
A2	0.80	1.00	1.05	0.031	0.039	0.041
b	0.19		0.30	0.007		0.15
c	0.09		0.20	0.003		0.012
D	4.90	5.00	5.10	0.192	0.196	0.20
E		6.40			0.252	
E1	4.30	4.40	4.50	0.169	0.173	0.177
e		0.65			0.025	
k	0°		8°	0°		8°
l	0.50	0.60	0.75	0.09	0.0236	0.030

TS461CLT



**PACKAGE MECHANICAL DATA**  
5 PINS -TINY PACKAGE (SOT23)



Dim.	Millimeters		Inches	
	Min.	Max.	Min.	Max.
A	0.90	1.45	0.034	0.057
A1	0	0.15		0.006
A2	0.90	1.30	0.034	0.051
b	0.35	0.50	0.013	0.020
C	0.09	0.20	0.003	0.008
D	2.80	3.00	0.110	0.118
E	2.60	3.00	0.102	0.118
E1	1.50	1.75	0.059	0.069
L	0.10	0.60	0.003	0.024

Information furnished is believed to be accurate and reliable. However, STMicroelectronics assumes no responsibility for the consequences of use of such information nor for any infringement of patents or other rights of third parties which may result from its use. No license is granted by implication or otherwise under any patent or patent rights of STMicroelectronics. Specifications mentioned in this publication are subject to change without notice. This publication supersedes and replaces all information previously supplied. STMicroelectronics products are not authorized for use as critical components in life support devices or systems without express written approval of STMicroelectronics.

© The ST logo is a trademark of STMicroelectronics

© 1999 STMicroelectronics – Printed in Italy – All Rights Reserved

**STMicroelectronics GROUP OF COMPANIES**

Australia - Brazil - China - Finland - France - Germany - Hong Kong - India - Italy - Japan - Malaysia - Malta - Morocco  
Singapore - Spain - Sweden - Switzerland - United Kingdom - U.S.A.

© <http://www.st.com>